



SAFETY WARNING (R-600a Models Only)

This appliance contains a certain amount of isobutane refrigerant (R600a) a natural gas with high environmental compatibility that is, however, also combustible. When transporting and installing the appliance, care should be taken to ensure that no parts of the refrigerating circuit are damaged. Refrigerant squirting out of the pipes could ignite or cause an eye injury. If a leak is detected, avoid any naked flames or potential sources of ignition and air the room in which appliance is standing for several minutes.

- In order to avoid the creation of a flammable gas-air mixture if a leak in the refrigerating circuit occurs, the size of the room in which the appliance may be sited depends on the amount of refrigerant used. The room must be 1m³ in size for every 8g of R600a refrigerant inside the appliance. The amount of refrigerant is shown on the identification plate inside the appliance.
- Never start up an appliance showing any signs of damage. If in doubt, consult your dealer.



RoHS (Directive 2002/95/EC) Compliant

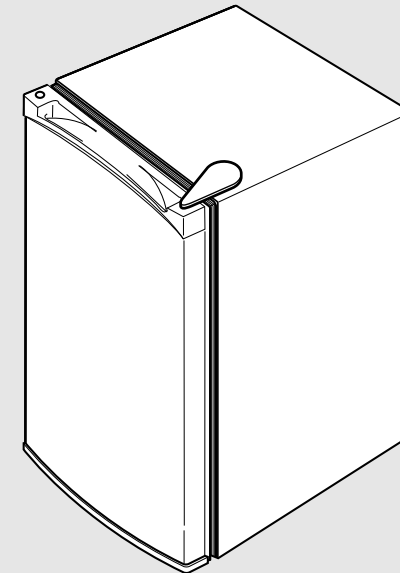
This product is environmentally sound and sustainable free from Pb, Cd, Cr+6, Hg, PBBs and PBDEs restricted in accordance with the Directive.

DAEWOO 
ELECTRONICS

REFRIGERATOR INSTRUCTION MANUAL

Model No.

FN-063R / FN-093R / FN-146R



- Before using this refrigerator, please read this manual carefully.
- Always remove the drip tray while this refrigerator is running.
- Removing the drip tray will enhance the cooling power and save your electric cost.
- Blowing Agent : CYCLO-PENTANE.

CONTENTS

1. Warning	2
2. Caution	3
3. Before using the appliance	4
4. Name of parts	5
5. How to clean	6
6. How to install.....	6
7. How to operate.....	7
8. What to do.....	8
9. Changing the reversible door.....	9-10
10. Important safety instructions	11
11. Precautions	12

WARNING

To avoid any risk of personal injury, material damage or incorrect use of the appliance, be sure to observe the following safety precautions. (After reading these owner's instructions, please keep them in a safe place for reference). Remember to hand them over to any subsequent owner.



Warning

Indicates that a danger of death or serious injury exists



Warning

Do not plug several appliances into the same sockets.

- This could cause overheating and the risk of fire.

Keep the power plug away from the rear of the refrigerator.

- A damaged power plug may cause fire due to overheating.

Do not directly spray water inside or outside the refrigerator.

- There is a risk of fire or electric shock.

Do not spray water inside or outside the refrigerator.

- There is a risk of explosion or fire.

Do not bend the power cord excessively or place heavy articles on it.

- This constitutes a fire hazard. If the power cord is damaged, have it replaced immediately by the manufacturer, its service agent or a similarly qualified person.

Do not insert the power plug with wet hands.

- You may receive an electric shock.

Do not put a container filled with water on top of the appliance.

- If the water spills on to any electrical parts, it may lead to fire or electric shock.

Do not install the refrigerator in a damp place, where it could be splashed with water.

- Incorrect insulation of the electrical parts may cause an electric shock or fire.

Do not store volatile and flammable substances in the refrigerator.

- The storage of benzene, thinner, alcohol, ether, LP gas or other such substances may cause an explosion.

Do not disassemble, repair or alter the appliance.

- It may cause fire or abnormal operations, which may lead to injury.

Pull the power plug out of the socket before replacing the interior light in the refrigerator.

- Otherwise, there is a risk of electric shock.
- Only the customer service may change the power cord and carry out any other repairs. Improper installations and repairs may put the user at considerable risk.

Be sure to earth the appliance.

- Otherwise, it may cause material damage and electric shock.

If you wish to dispose of the refrigerator, throw it away after removing the door or its seals.

- In this way, it is not possible for a child to remain trapped inside it.

Keep ventilation openings in the appliance enclosure or in the built-in structure, clear of obstruction.

Do not use mechanical devices or other means to accelerate the defrosting process, other than those recommended by the manufacturer.

Do not damage the refrigerant circuit.

Do not use electrical appliances inside the food storage compartments of the appliance, unless they are of a type recommended by the manufacturer.

CAUTION



Caution

Do not store too much food in the appliance.

- When you open the door, an item may fall out and cause personal injury or material damage.

Do not put bottles or any kind of glass in the refrigerator.

- The container may break and cause personal injury.

If the wall socket is loose, do not insert the power plug.

- It may cause electric shock or fire.

Do not disconnect the power cord by pulling on it.

- You may disconnect a wire and cause a short circuit.

Do not store article on top of the appliance.

- When you open or close the door, the articles may fall and cause personal injury or material damage.

Do not store pharmaceutical products, scientific material or other temperature-sensitive products in the refrigerator.

- Products that require strict temperature controls must not be stored in the refrigerator.

Do not let a child hang from the door.

Do not touch any containers and food in the freezer with wet hands.

- It may cause frostbite.

Remove any foreign matter from the power plug pins.

- Otherwise, there is a risk of fire.

Do not insert your hand into the bottom area of appliance.

- Any sharp edges may cause personal injury.

After unplugging the appliance, wait for at least five minutes before plugging it again to the wall socket.

- Abnormal operation of the refrigerator may cause material damage.

If the appliance is not be used for a long period of time, pull out the power plug.

- Any deterioration in the insulation may cause fire.

Do not let children touch or play with the control panel on the front of the appliance.

- Do not allow children to play with this appliance.
- Do not stand or lean on the base panel, pull-out parts, door and so on.

- Repairs and maintenance of the appliance should only be performed by a qualified technician. Incorrect repairs by an unqualified person are a potential source of danger that may have critical consequences for the user of the appliance.

- Never put ice cubes or ice lollies straight from the freezer into your mouth.

(The low temperature may cause "cold burns".)

The refrigerant used in refrigerator and the gases in the insulation material require special disposal procedures.

Ensure that none of the pipes on the back appliance are damaged prior to disposal.



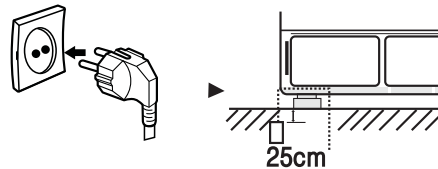
Caution

Use of an earthed socket exclusively For the appliance :

- If you are using a socket with an earthed terminal, you do not require a separate earthed connection.

Use of a non-earthed socket :

- Connect the "earthed wire" to the steel plate and bury it at depth of at least 25cm in the ground.



BEFORE USING THE APPLIANCE

- Your new appliance is designed exclusively for domestic use.

To ensure the best use of your appliance, carefully read the operating instructions which contain a description of the appliance and advice on storing and preserving food.

Keep this handbook for future reference.

1. Packing

The packing material is 100% recyclable and bears the recycling symbol.

Comply with the local regulations for disposal.

Keep the packing materials (plastic bags, polystyrene parts, etc.) out of the reach of children, as they are a potential source of danger.

2. Scrapping / Disposal

The appliance is manufactured using recyclable material.

This appliance is marked in compliance with European Directive 2002/96/EC on Waste Electrical and Electronic Equipment (WEEE).

By ensuring the correct scrapping of this appliance, you can help prevent potentially negative consequences for the environment and peoples health.

The symbol on the appliance, or on the accompanying documents, indicates that this appliance should not be treated as domestic waste but must be taken to a suitable collection centre for the recycling of electrical and electronic equipment.

When scrapping the appliance, make it unusable by cutting off the power cable and removing the doors so that children cannot easily climb inside.

Scrap the appliance in compliance with local regulations on waste disposal, taking it to a special collection centre; do not leave the appliance unattended even for a few days, since it is a potential source of danger for children.

For further information on the treatment,

recovery and recycling of this appliance, contact your local council office, the household waste collection service or the shop where you purchased the appliance.

1. After unpacking the appliance, make sure it is not damaged and that the door closes properly. Any damage must be reported to the dealer within 24 hours of delivery of the appliance.
2. Wait at least two hours before switching the appliance on, in order to ensure that the refrigerant circuit is fully efficient.
3. Make sure installation and the electrical connection are carried out by a qualified technician according to the manufacturer's instructions and in compliance with the local safety regulations.
4. Clean the inside of the appliance before using it.

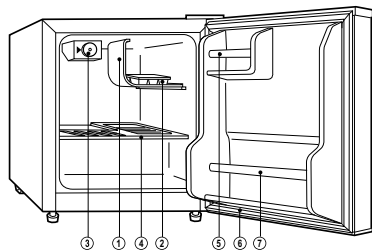
3. Information:

This appliance does not contain CFC (The refrigerant circuit will be either type R134a or R600a - refer to the rating plate inside the appliance).

Appliances with refrigerant use isobutane (R600a) and Blowing agent use cyclopentane. This is a natural gas without environmental impact but is flammable. Therefore, make sure the refrigerant circuit pipes are not damaged.

NAMES OF THE PARTS

■ FN-063R



1. EVAPORATOR

The heart of the refrigerator. It evaporates the refrigerant fluid and thereby absorbs heat from the surrounding. Made of pure aluminum.

2. ICE CUBE TRAY

Ice cubes are easy to remove from the tray.

3. CONTROL BOX

Regulates the operation of the motor and controls the inside temperature of the refrigerator.

4. SHELF

Has full width and can slide out.

5. RACK

for butter, eggs, and small size goods.

6. MAGNETIC DOOR SEALS

Keeps the refrigerator virtually airtight all along the edge, but is nevertheless easy to open.

7. USABLE RACK

for cans or jars.

8. BOTTLE RACK

for bottles, cans or jars.

9. DRAIN PAN : (Use of Defrost Only)

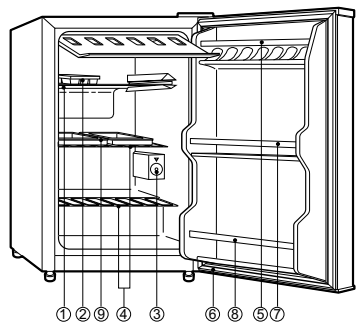
Discards the water that drips of the evaporator when defrosting.

10. CRISPER

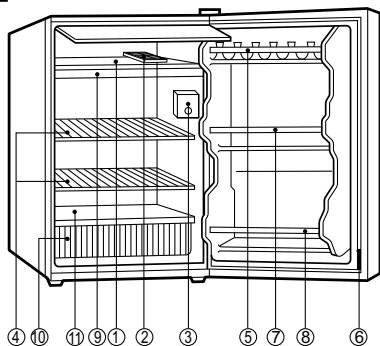
for vegetables and fruits.

11. SLIDE OUT CRISPER COVER.

■ FN-093R



■ FN-146R



HOW TO CLEAN

Cleaners: The cleaners noted below are available.

Never use harsh, abrasive cleaners, heavy-duty cleaners, or solvents on any surface.

Exterior: Wipe with damp, sudsy cloth, rinse and dry.

For stubborn stains and for periodic waxing, use silicon wax.

Evaporator: When refrigerator needs defrosting turn thermostat dial to "OFF".

Do not use sharp instruments.

Refrigeration Section: Wash shelves and other removable parts in warm sudsy water, rinse and dry.

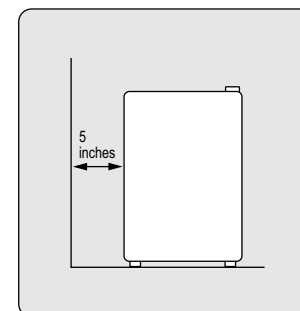
Wash interior with baking soda solution (3 table spoons to one quart of water) or warm sudsy water, rinse and dry.

Magnetic Door Seals: Wash with warm sudsy water.

The Finishing Touch: Replace all parts and return thermostat dial to desired setting.

HOW TO INSTALL

- Install refrigerator in a convenient location away from extreme heat and cold. Allow sufficient clearance between the refrigerator and side wall so the door will open for a fully usable interior. Refrigerator is not designed for recessed installation.
- Select a place with strong level floor.
- Allow 5 inches of space between the refrigerator's side and the wall.



HOW TO OPERATE

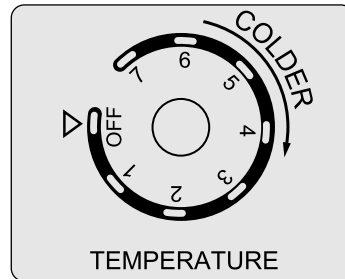
Starting your new Refrigerator

1. Clean the refrigerator thoroughly. Wipe the outside with a soft dry cloth, the inside with a damp cloth.
2. Keep the door open and insert the power supply cord into the socket.
3. Turn the thermostat dial to "7". Close the door and let the refrigerator operate for 15-20 minutes.

The freezer should then show some traces of frost.

Temperature control

You can control the inside temperature by turning the thermostat dial. Higher numbers mean greater cooling power, smaller numbers mean less cooling power. To make ice cubes in the freezer compartment, set the dial to "7". The dial does not have to be set exactly on the numbers, but can be any place in between.



NOTE: Wait 3 to 5 minutes before restarting if you unplug the machine. Unit may fail to operate properly if restarted too quickly.

How to defrost

Defrost the refrigerator when the frost accumulated on the evaporator is about 5mm (1/5inch) thick.

Set the thermostat dial to "OFF". Remove frozen or perishable foods.

Keep drip tray in place. Defrosting usually takes a few hours. To defrost quickly remove all foods from the refrigerator and leave the door open.

Never use a knife or other metal instrument to remove ice/frost from the evaporator. After defrosting, empty water from drip tray, return the thermostat dial to the desired position to start refrigerating again.

WHAT TO DO...

1. When out of operating for a long time:

- Remove the power supply cord.
- Dry your refrigerator opening the door for 2-3 days.

2. When you get ready to move:

- Securely fasten removable interior parts (or move and package them separately)
- Do not lay your refrigerator horizontally, or compressor may be damaged.

When you need service: Before you call for service make sure you need it, check a few things noted below for yourself first.

If refrigerator is not operating:

- Is the power supply cord unplugged?
- Is home fuse blown or circuit breaker off?

If refrigerator is warmer than usual:

- Has the door been open frequently or for a long period?
- Is refrigerator overcrowded-preventing good air circulation?
- Is the hot thing stored without cooling?
- Is the clearance between refrigerator's side and the wall allowed sufficiently?

If there are unusual sounds:

- Is refrigerator placed on the level?
- Are foreign objects behind the refrigerator?
- Are dishes on refrigerator shelves vibrating?
If so, rearrange the dishes.

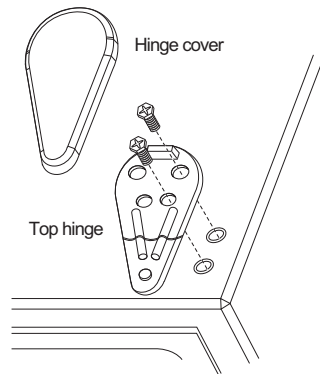
If the supply cord is damaged, it must be replaced by the manufacturer or its service agent or a similiary qualified person in order to avoid a hazard.

CHANGING THE REVERSIBLE DOOR

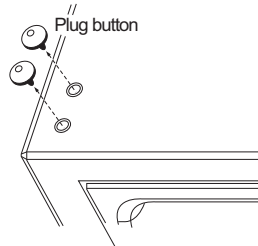
This refrigerator has been built with the door hinges on the right. If you wish to change the opening direction, follow the instruction below:

- Unplug the refrigerator from its electrical outlet.
- Empty everything in the refrigerator, including shelves, food, etc.

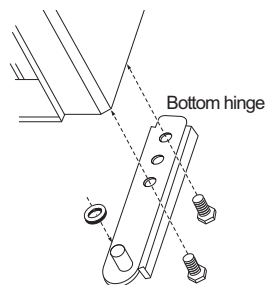
1. Remove the hinge cover on the right top of the cabinet.
2. Remove the two screws (using a ratchet tool with a 8MM socket) that hold the top hinge to the cabinet. Keep these screws for later use.
3. Lift the top hinge straight up to free the pin from the socket on the top of the door.
4. Lift the door and place it on a padded surface to prevent scratching it.



5. Remove the plug buttons from the upper left holes as illustrated and transfer them to the uncovered holes at the right side. Be sure to press the plug buttons firmly into the holes.



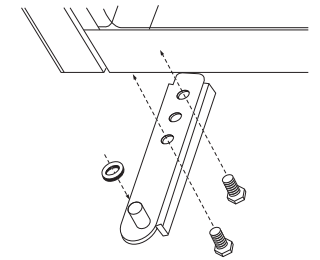
6. Lay the cabinet on its side down on the floor. Remove the two screws that hold the bottom hinge to the cabinet using a 10MM socket. Keep these screws and washer for later use.



7. Insert the bottom hinge at the left side using the two screws previously removed in step 6.

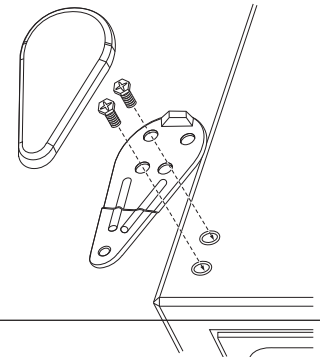
NOTE: Do not tighten screws.

8. Stand the cabinet.
9. Replace the door making sure the bottom socket enters the bottom hinge pin. Be sure washer is in place.



10. While holding the door in the closed position, secure the top hinge at the left side using the two screws previously removed at the beginning in step 2. Do not tighten the screws until the top of the door is leveled with the top cabinet.

11. Replace the hinge cover.



12. Tools required:
 - 8MM & 10MM socket-ratchet.
 - Putty knife or thin-blade screwdriver.

Refrigerant Information

Refrigerant	R600a
Charge	FN-06_ : 0.021kg , FN-09_ : 0.028kg , FN-14_ : 0.032kg
Global Warming Potential	1300
Contains fluorinated greenhouse gases covered by the Kyoto Protocol and is hermetically sealed.	
Foam blown with fluorinated greenhouse gases.	

IMPORTANT SAFTY INSTRUCTIONS

These warnings are provided in the interests of your safety. Ensure that you understand them all before installing or using this appliance. Your safety is of paramount importance. If you are unsure about any of the meanings or these warnings contact the Customer Care Department.

Installation

- This appliance is heavy. Care should be taken mowing it.
- It is dangerous to alter the specifications or attempt to modify this product in any way.
- Ensure that the appliance does not stand on the electrical supply cable. If the supply cord is damaged, it must be replaced by a special cord available from your local Service Force Centre.
- Any electrical work required to install this appliance should be carried out by a qualified electrician or competent person.
- The parts at the rear of the refrigerator can become hot, so don't leave them exposed in the room. Whenever possible, the back of the appliance should be close to a wall but leaving the required distance for ventilation as stated in the installation instructions.
- The appliance should be left for 2 hours after installation before it is turned on, in order to allow the refrigerant to settle.

CAUTION :

You must keep the appliance standing in a place where it is well ventilated at all times.

Child Safety

- This appliance is not intended for use by young children or infirm persons unless they have been adequately supervised by a responsible person to ensure that they can use the appliance safely.
- Young children should be supervised to ensure that they do not play with the appliance.

During Use

- This appliance is designed for domestic use only, specifically for the storage of edible foodstuffs only.
- Frozen food should not be refrozen once it has thawed out.
- Do not place carbonated or fizzy drinks in the freezer.
- Ice lollies can cause 'frost/freezer burns' if consumed straight from the freezer.
- Do not remove items from the freezer if your

hands are damp/wet, as this could cause skin abrasions or frost/freezer burns.

Maintenance and Cleaning

- When you plan not to operate (during average length vacations), remove all food, disconnect the power cord, clean the interior thoroughly, and leave each door OPEN to prevent door formation.

CAUTION : You must not use any mechanical equipment or other ways that quicken up the defrosting process of the appliance. You must not use any electric appliance inside the appliance except those that are recommended by the manufacturer.

Servicing

- This product should be serviced by an authorised engineer, and only genuine spare parts should be used.
- Under no circumstances should you attempt to repair the appliance yourself. Repairs carried out by inexperienced persons may cause injury or serious malfunctioning. Contact your local Service Centre.

At the End of the Appliance Life

NOTE : Before discarding an old appliance cooler, switch off and disconnect it from the power supply. Cut off and render any plug useless. Ensure that the door cannot jam (removing it is best), regardless of whether or not it can be pushed open from inside.

AN OLD APPLIANCE CAN BE A DEADLY PLAYTHING FOR CHILDREN!

CAUTION : At the end of the function life of the appliance it must be disposed in accordance with the W.E.E.E directive (See page 12). Your appliance contains R600a refrigerant and inflammable gas in the insulating foam.

Please read this instruction book carefully before use and retain for future reference.

PRECAUTIONS

- The appliance must be positioned so that the plug is accessible. If the supply cord is damaged, it must be replaced by the manufacturer or its service agent or a similarly qualified person in order to avoid a hazard. Keep ventilation openings, in the appliance enclosure or in the built-in structure, clear of obstruction. Do not use mechanical devices or other means to accelerate the defrosting process, other than those recommended by the manufacturer. Do not damage the refrigerant circuit. Please dispose the appliance according to the local rule for the blowing gases.



Disposal of Used Electrical & Electronic Equipment

The meaning of the symbol on the product, its accessory or packaging indicates that this product shall not be treated as household waste. Please, dispose of this equipment at your applicable collection point for the recycling of electrical & electronic equipments waste. In the European Union and Other European countries which there are separate collection systems for used electrical and electronic product. By ensuring the correct disposal of this product, you will help prevent potentially hazards to the environment and to human health, which could otherwise be caused by unsuitable waste handling of this product. The recycling of materials will help conserve natural resources. Please do not therefore dispose of your old electrical and electronic equipment with your household waste. For more detailed information about recycling of this product, please contact your local city office, your household waste disposal service or the shop where you purchased the product.

Ambient Room Temperature Limits

This appliance is designed to operate in ambient temperature specified by its temperature class marked on the rating plate.

Temperature Class	Symbol	Ambient Temperature	
		Maximum	Minimum
Extended Temperate	SN	32°C (90°F)	10°C (50°F)
Temperate	N	32°C (90°F)	16°C (61°F)
Subtropical	ST	38°C (100°F)	18°C (64°F)
Tropical	T	43°C (109°F)	18°C (64°F)

NOTE : The internal temperature may be affected by such factors as the location of the appliance, ambient temperature and the frequency with which you open the doors. Adjust the temperature as required to compensate for these factors.